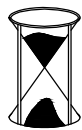
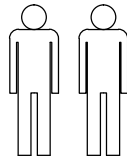


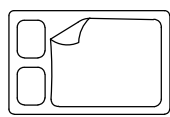
2023-09-20



30min.



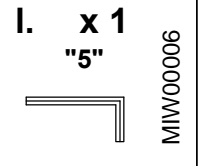
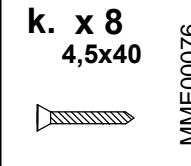
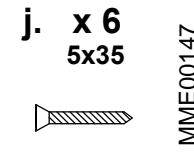
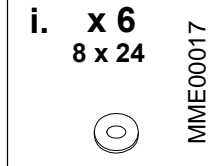
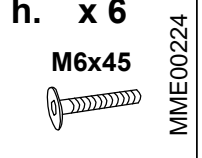
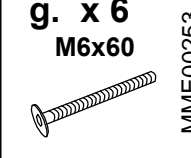
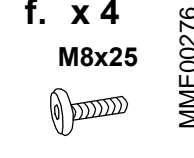
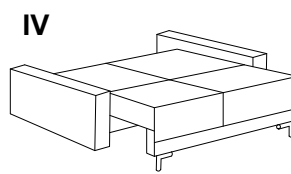
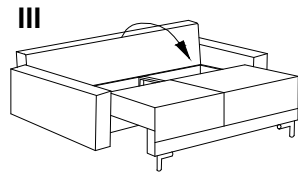
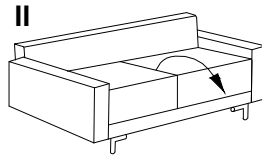
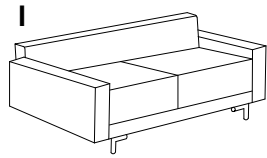
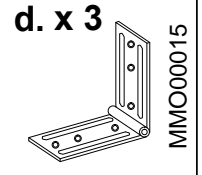
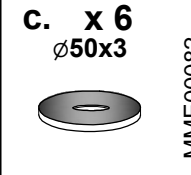
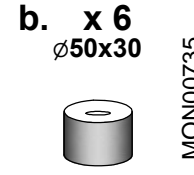
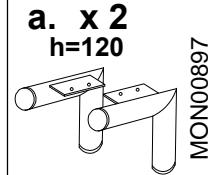
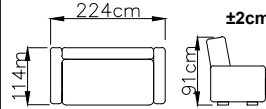
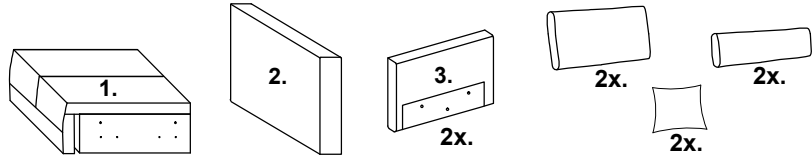
x1



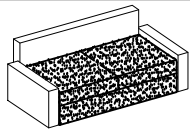
±2cm

198 x 158 cm

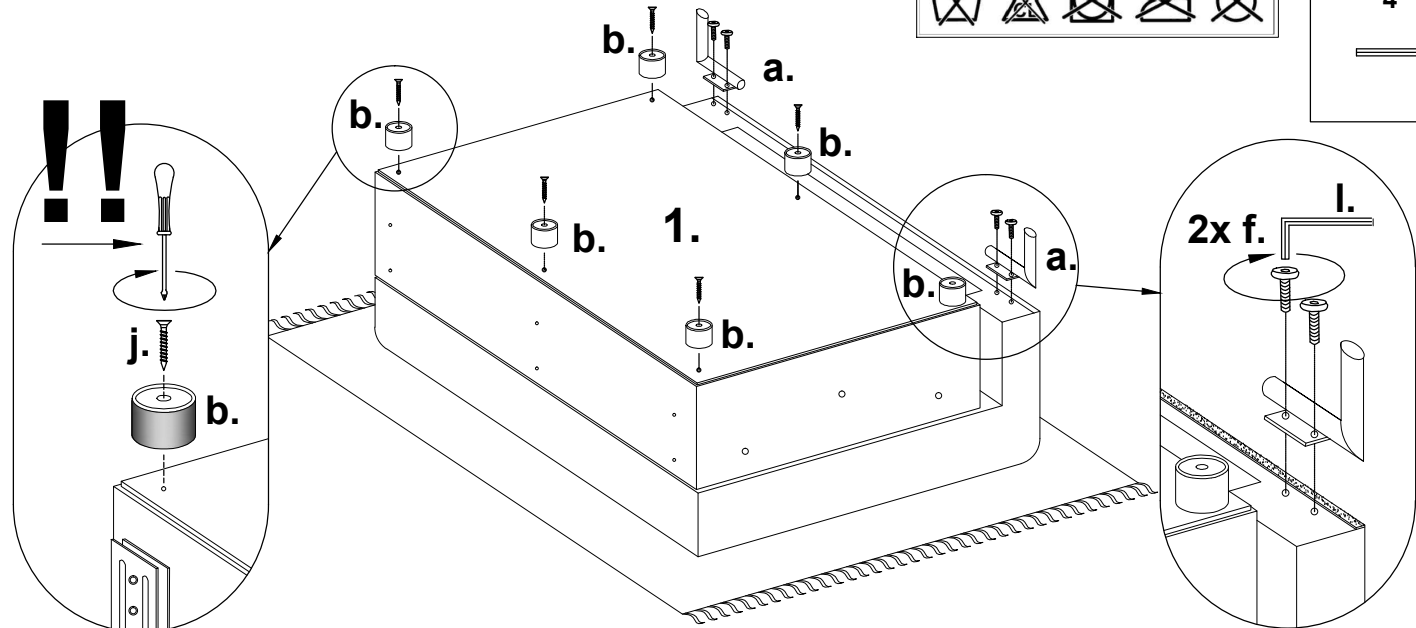
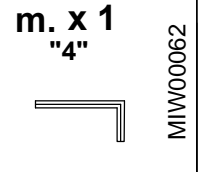
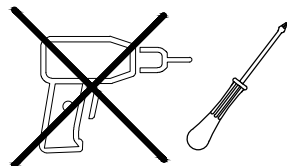
RICO NEW



I



| | | |
|--------|--|--------|
| a. x 2 | | h=120 |
| b. x 6 | | Ø50x30 |
| j. x 6 | | 5x35 |
| f. x 4 | | M8x25 |
| l. x 1 | | "5" |

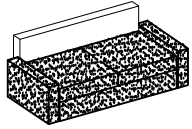




2023-09-20

RICO NEW

II

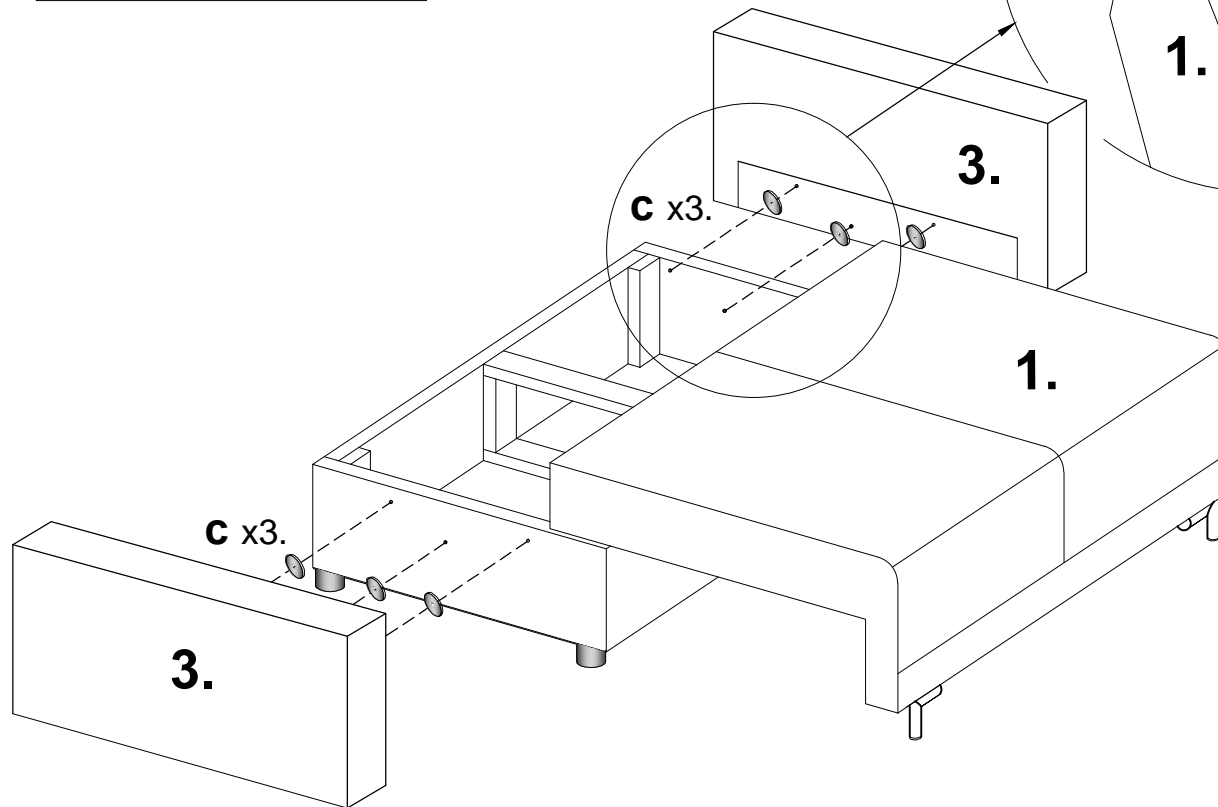
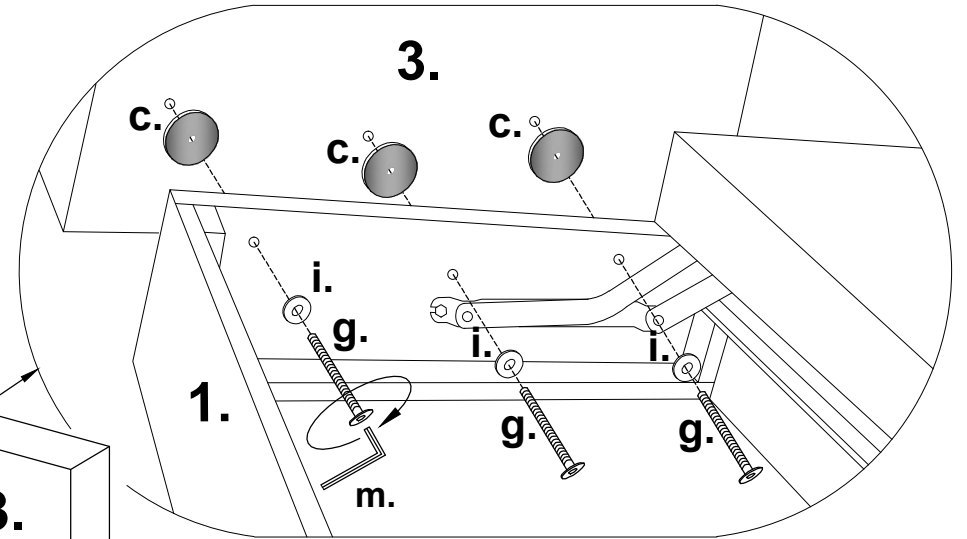


c. x 6  $\varnothing 50 \times 3$

i. x 6  M8x24

g. x 6  M6x60

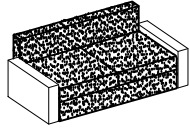
m. x 1  "4"



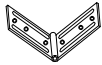
2023-09-20

RICO NEW

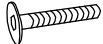
III



d. x 3



h. x 6

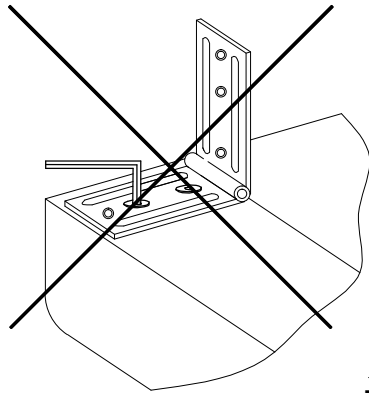


M6x45

m. x 1

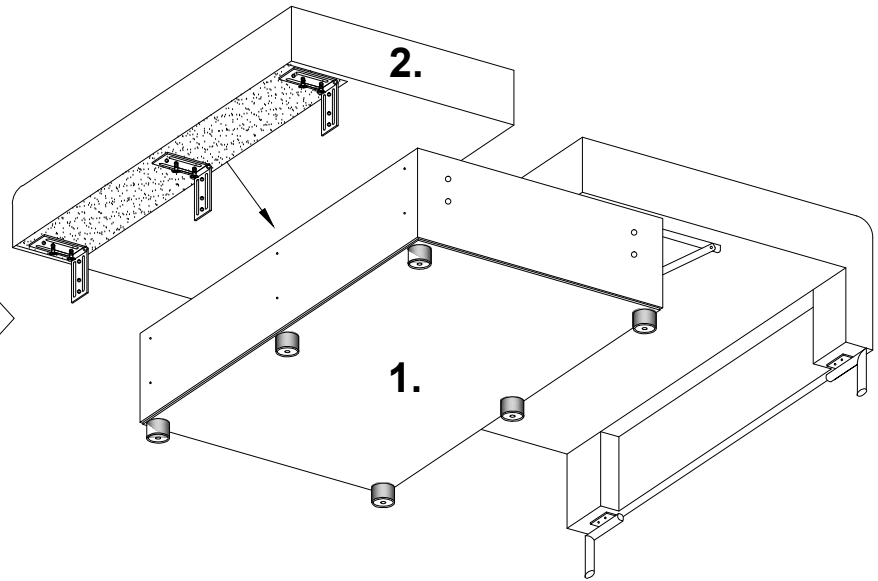
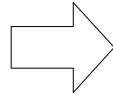
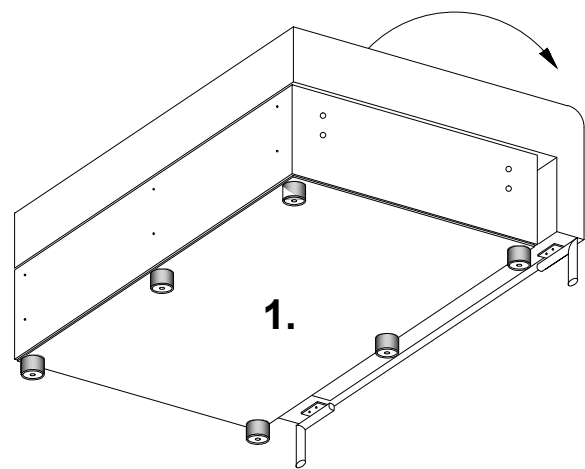
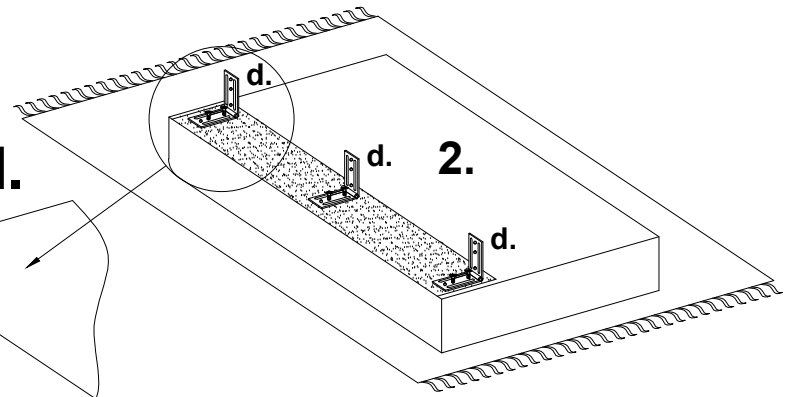
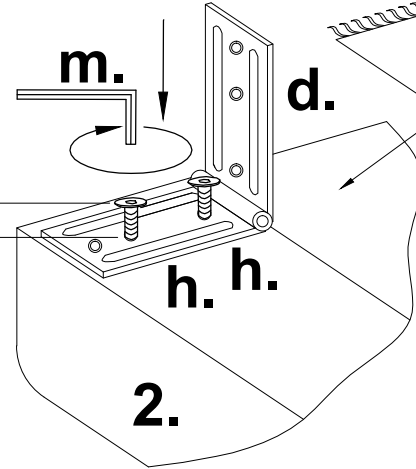


"4"



1/2 cm

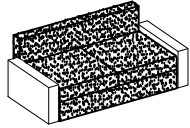
!!



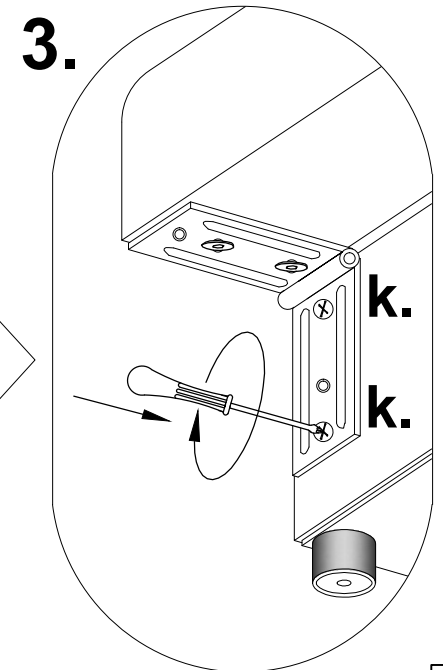
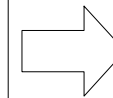
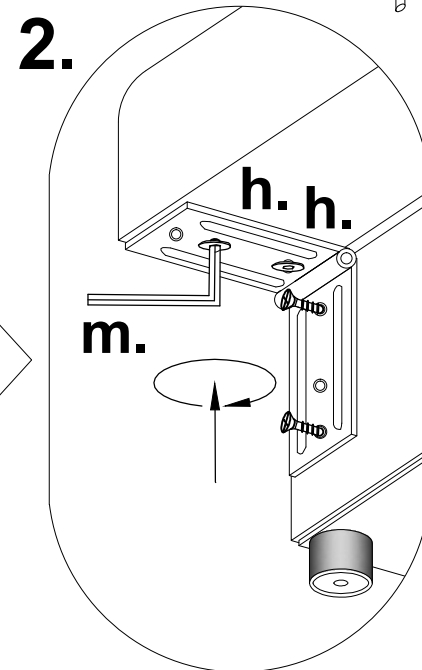
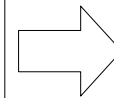
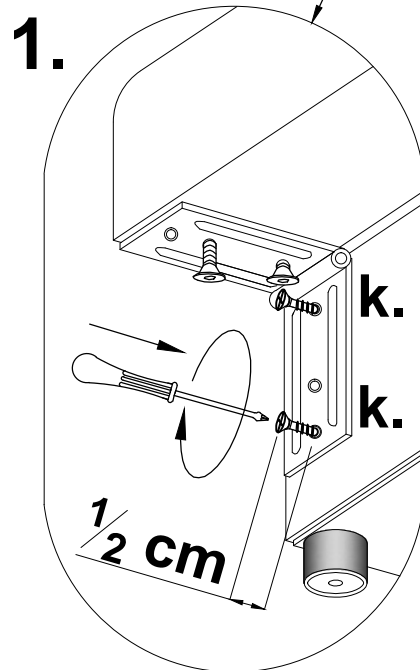
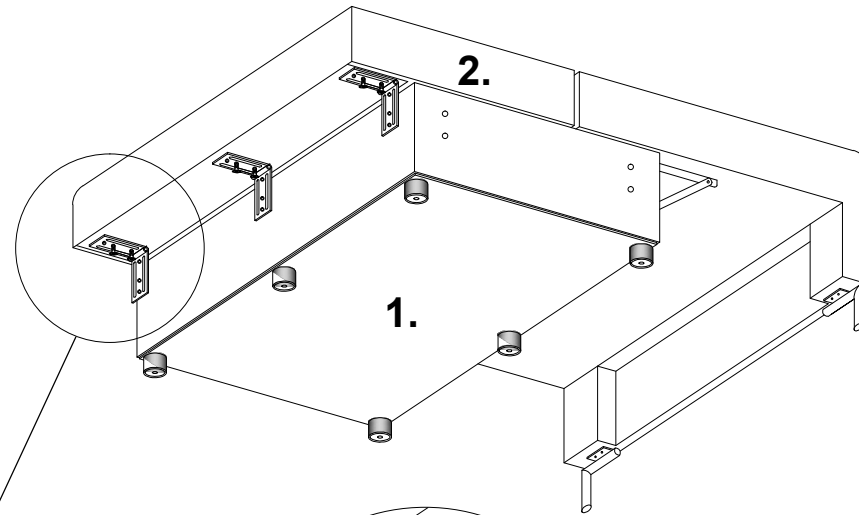
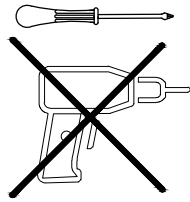
2023-09-20

RICO NEW

IV



k. x 6  4.5x40



2023-09-20

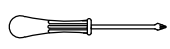
RICO NEW

V

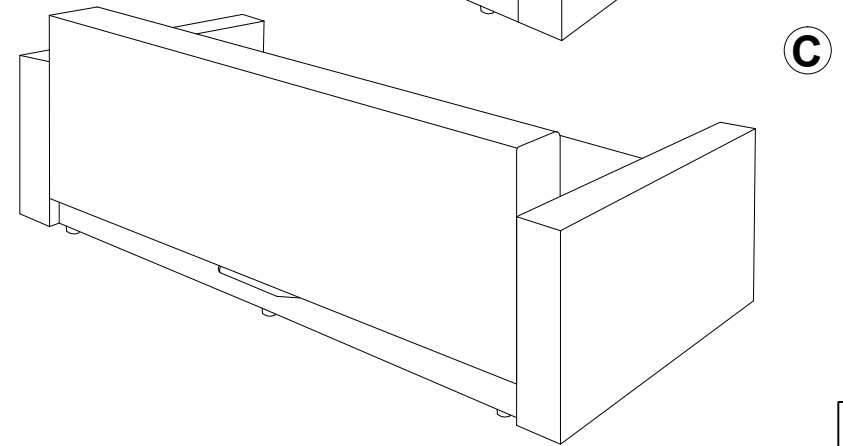
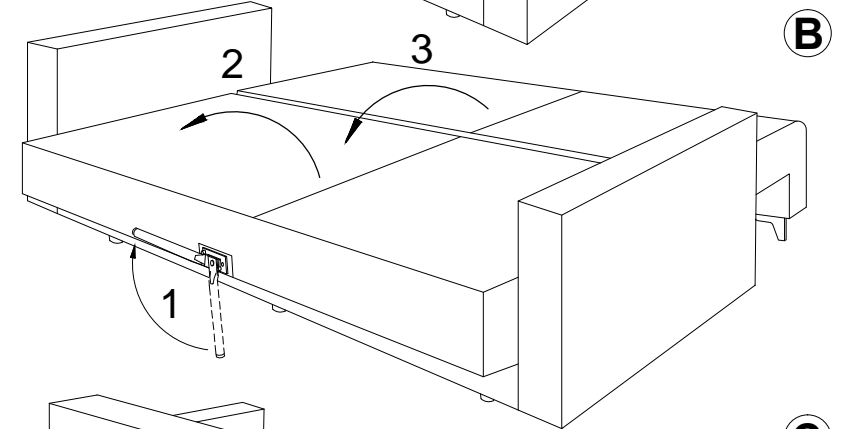
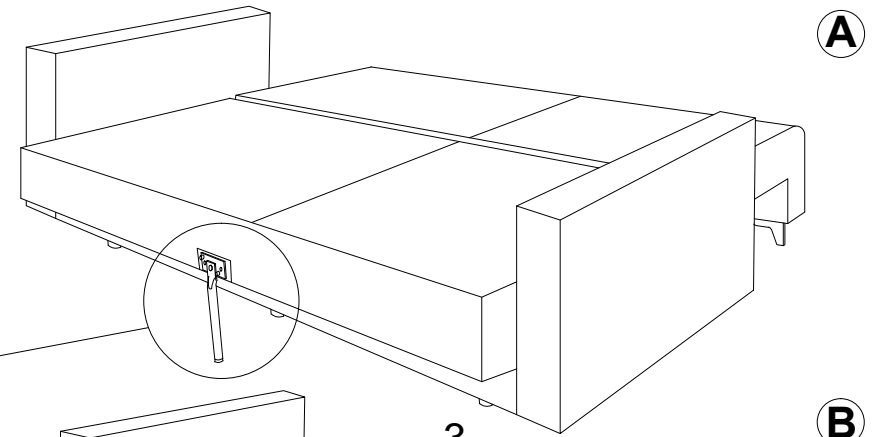
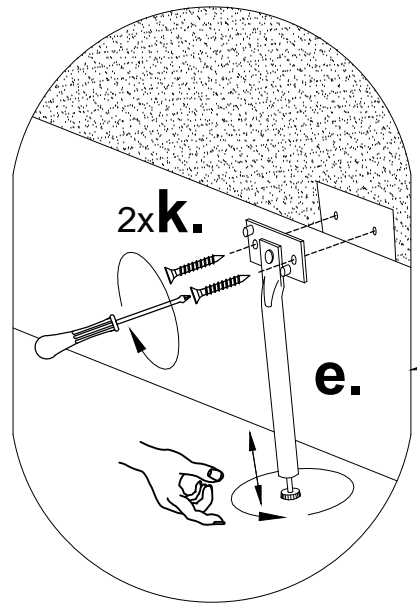
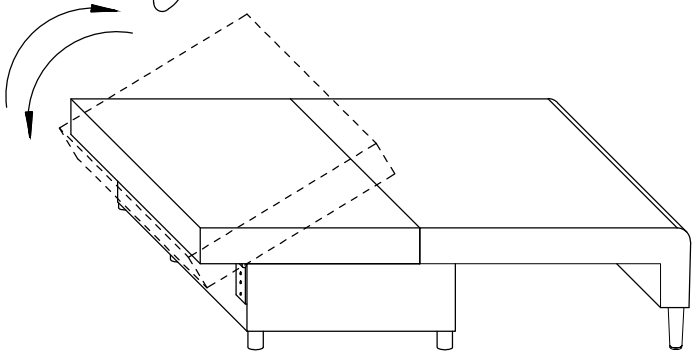


e. x 1

k. x 2 4,5x40

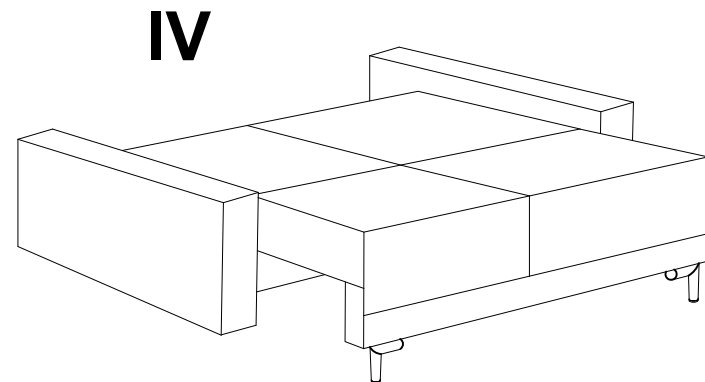
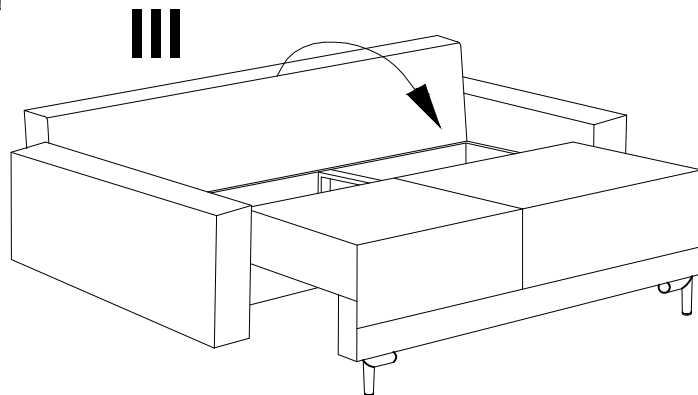
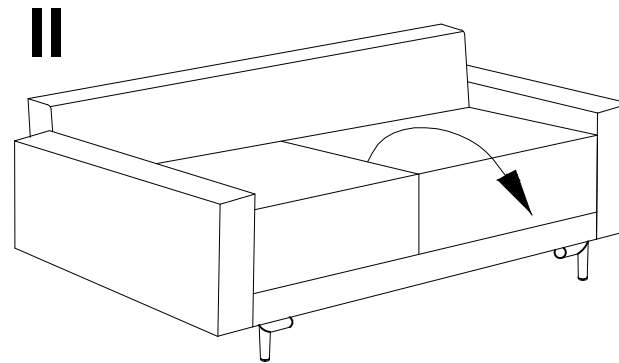
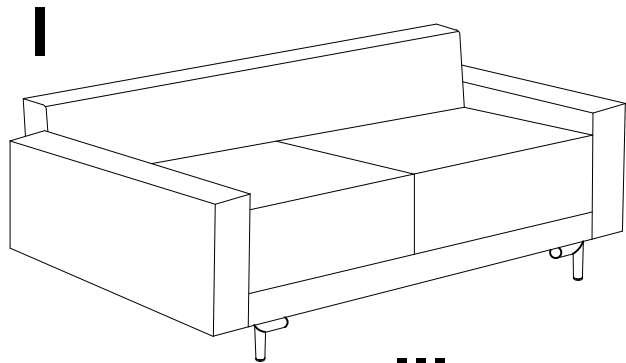
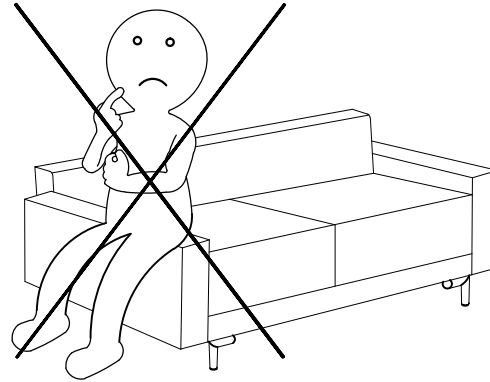


???



2023-09-20

RICO NEW



2023-09-20

RICO NEW

